

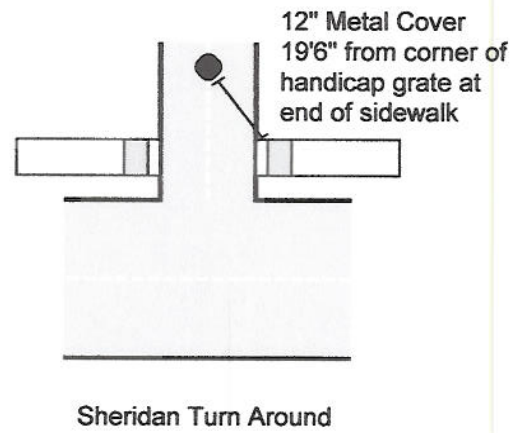
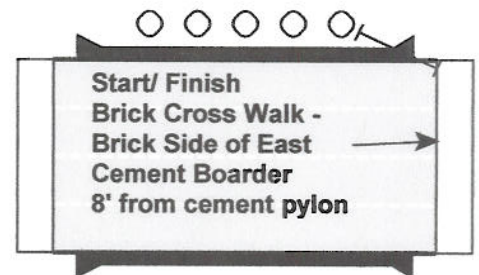
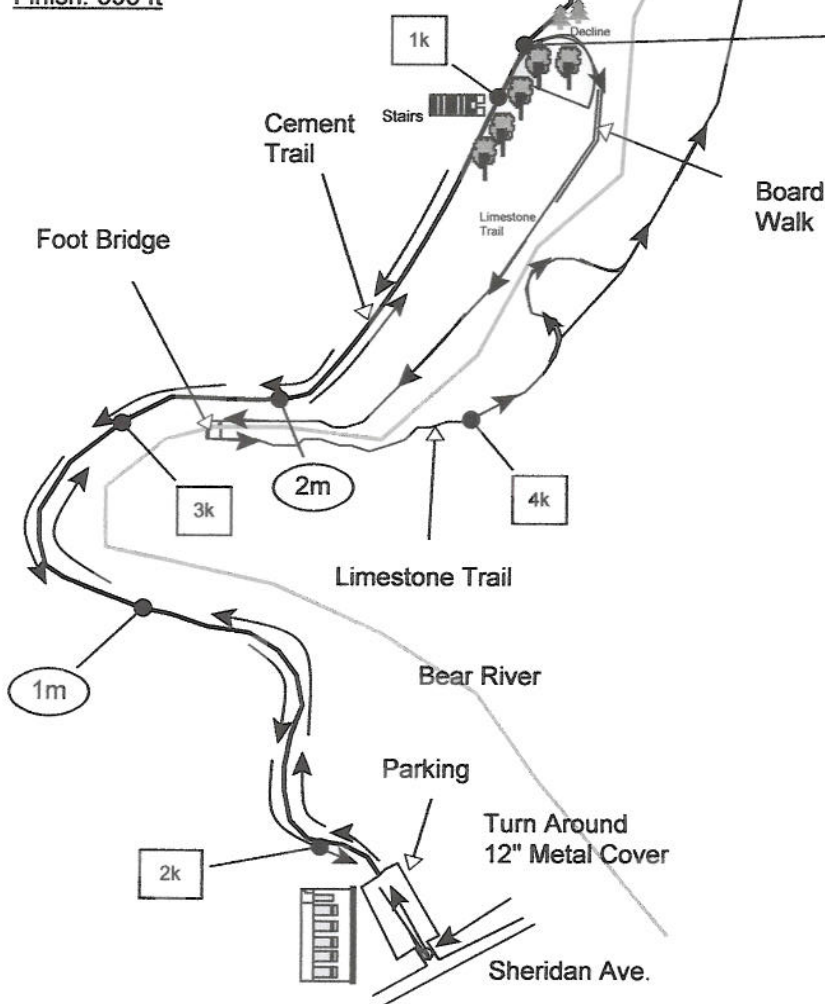
Bear River Crawl 5k Petoskey Michigan

North
↑



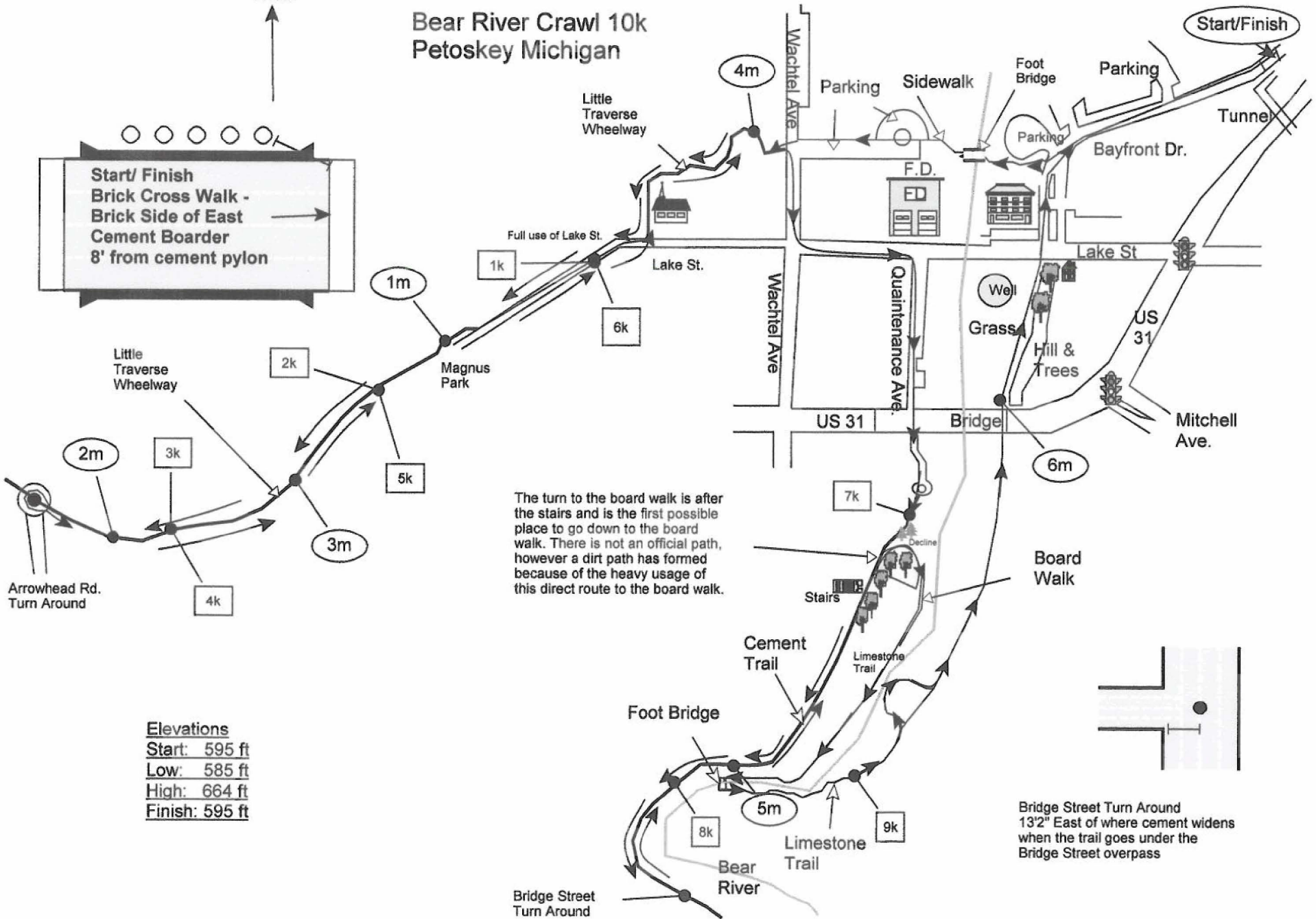
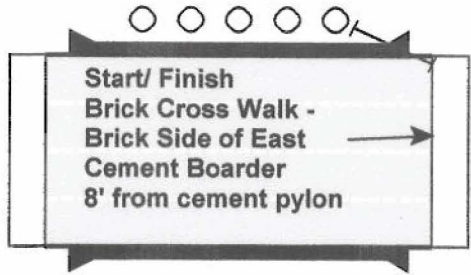
Elevations
 Start: 595 ft
 Low: 585 ft
 High: 672 ft
 Finish: 595 ft

The turn to the board walk is after the stairs and is the first possible place to go down to the board walk. There is not an official path, however a dirt path has formed because of the heavy usage of this direct route to the board walk.



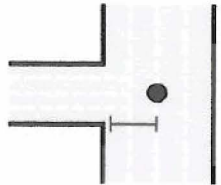
Bear River Crawl 10k Petoskey Michigan

North



The turn to the board walk is after the stairs and is the first possible place to go down to the board walk. There is not an official path, however a dirt path has formed because of the heavy usage of this direct route to the board walk.

Elevations
 Start: 595 ft
 Low: 585 ft
 High: 664 ft
 Finish: 595 ft



Bridge Street Turn Around
 13'2" East of where cement widens
 when the trail goes under the
 Bridge Street overpass